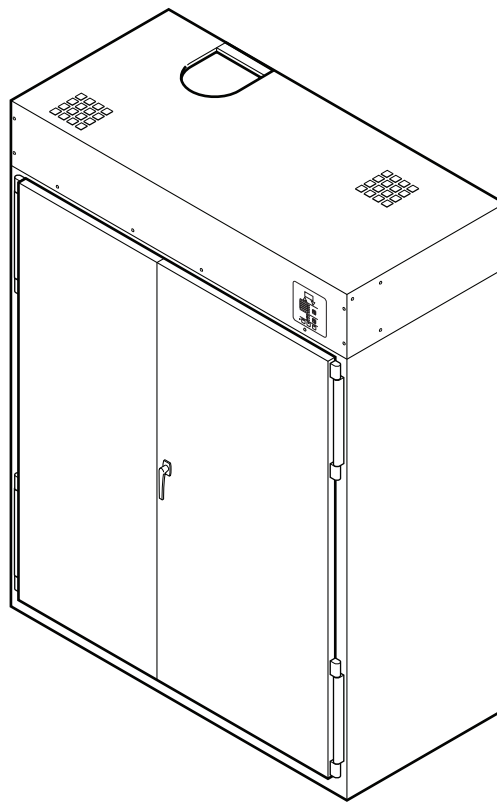


# Gear Cabinet

Starting Serial No. 1103000001  
Refer to Page 3 for Model Identification



GER1C

Installation/Operation

**Keep These Instructions for Future Reference.**

(If this machine changes ownership, this manual must accompany machine.)



[www.comlaundry.com](http://www.comlaundry.com)

Part No. FR004028R4EN  
February 2012





## WARNING

**FOR YOUR SAFETY**, the information in this manual must be followed to minimize the risk of fire or explosion or to prevent property damage, personal injury or death.

W033

- Do not store or use gasoline or other flammable vapors and liquids in the vicinity of this or any other appliance.
- **WHAT TO DO IF YOU SMELL GAS:**
  - Do not try to light any appliance.
  - Do not touch any electrical switch; do not use any phone in your building.
  - Clear the room, building or area of all occupants.
  - Immediately call your gas supplier from a neighbor's phone. Follow the gas supplier's instructions.
  - If you cannot reach your gas supplier, call the fire department.
- Installation and service must be performed by a qualified installer, service agency or the gas supplier.

W052

### FOR YOUR SAFETY

Do not store or use gasoline or other flammable vapors and liquids in the vicinity of this or any other appliance.

W053



## AVERTISSEMENT

**POUR VOTRE SÉCURITÉ**, les informations de ce guide doivent être respectées afin de réduire les risques d'incendie, d'explosion ou d'éviter les dommages matériels, personnels ou blessures mortelles.

W033R3QU

- Ne pas entreposer ou utiliser d'essence ou toutes autres vapeurs et liquides inflammables à proximité de cette machine ou de tout autre appareil.
- **QUE FAIRE EN CAS D'ODEUR DE GAZ :**
  - Ne pas mettre d'appareil en marche.
  - Ne pas toucher aux interrupteurs électriques ; ne pas utiliser le téléphone des lieux.
  - Évacuer la pièce, le bâtiment ou la zone de tous les occupants.
  - Appeler immédiatement le fournisseur de gaz de la maison d'un voisin. Respecter les instructions communiquées par le fournisseur.
  - Si vous ne pouvez pas joindre le fournisseur de gaz, appeler le service d'incendie.
- L'installation et l'entretien doivent être effectués par un installateur, service d'entretien qualifiés ou par le fournisseur de gaz.

W052R5QU

### POUR VOTRE SÉCURITÉ

Ne pas entreposer ou utiliser d'essence ou toutes autres vapeurs et liquides inflammables à proximité de cette unité ou de tout autre appareil.

W053R2QU

# Table of Contents

<b>Introduction</b> .....	3
Model Identification .....	3
Customer Service.....	3
Serial Plate Location.....	3
Wiring Diagram .....	3
<b>Safety Information</b> .....	4
Important Safety Instructions .....	5
<b>Installation</b> .....	7
Specifications and Dimensions.....	7
Cabinet Dimensions and Drain Connection Locations .....	8
Exhaust Outlet and Electrical Connection Locations .....	9
Pre-Installation Inspection.....	10
Location Requirements.....	10
Gear Cabinet Enclosure .....	11
Position and Level the Gear Cabinet .....	12
Gear Rack Option .....	13
Hanger Placement.....	13
Boot Rack .....	13
Exhaust Requirements .....	14
Layout .....	14
Make-Up Air .....	14
Venting.....	14
Electrical Requirements.....	15
Grounding Instructions .....	15
<b>Operation</b> .....	17
DMP OPL Models.....	17
General Operation.....	17
Description of the OPL Control Panel .....	18
DMP OPL Features.....	19
<b>Removing Gear Cabinet from Service</b> .....	20
<b>Before You Call for Service</b> .....	20
Customer Service.....	20

# Introduction

## Model Identification

Information in this manual is applicable to these models.

CTGC6EDG44	ITGC6EDG44	UTGC6EDG44
CTGC6EDG45	ITGC6EDG45	UTGC6EDG45
CTGC6EDG64	ITGC6EDG64	UTGC6EDG64
CTGC6EDG65	ITGC6EDG65	UTGC6EDG65
CUGC6EDG75	IUGC6EDG75	UUGC6EDG75

## Customer Service

If literature or replacement parts are required, contact the source from which the machine was purchased or contact Alliance Laundry Systems at (920) 748-3950 for the name and address of the nearest authorized parts distributor.

For technical assistance, call (920) 748-3121.

## Serial Plate Location


When calling or writing for information about your product, be sure to mention model and serial numbers. Model and serial numbers are found on serial plate on the right side of machine.


## Wiring Diagram


The wiring diagram is located in the junction or contactor box.

# Safety Information

Precautionary statements (“DANGER,” “WARNING,” and “CAUTION”) followed by specific instructions, are found in this manual and on machine decals. These precautions are intended for the personal safety of the operator, user, servicer, and those maintaining the machine.

	<b>DANGER</b>
Indicates an imminently hazardous situation that, if not avoided, will cause severe personal injury or death.	


	<b>WARNING</b>
Indicates a hazardous situation that, if not avoided, could cause severe personal injury or death.	

	<b>CAUTION</b>
Indicates a hazardous situation that, if not avoided, may cause minor or moderate personal injury or property damage.	

Additional precautionary statements (“IMPORTANT” and “NOTE”) are followed by specific instructions.

**IMPORTANT:** The word “IMPORTANT” is used to inform the reader of specific procedures where minor machine damage will occur if the procedure is not followed.

**NOTE:** The word “NOTE” is used to communicate installation, operation, maintenance or servicing information that is important but not hazard related.


	<b>WARNING</b>
<b>Failure to install, maintain, and/or operate this machine according to manufacturer’s instructions may result in conditions which can produce serious injury, death and/or property damage.</b>	
W051R1	

**NOTE:** The **WARNING** and **IMPORTANT** instructions appearing in this manual are not meant to cover all possible conditions and situations that may occur. It must be understood that common sense, caution and carefulness are factors which **CANNOT** be built into this gear cabinet. These factors **MUST BE** supplied by the person(s) installing, maintaining or operating the gear cabinet.

Always contact your dealer, distributor, service agent or the manufacturer on any problems or conditions you do not understand.

## Save These Instructions


### Important Safety Instructions

	<b>WARNING</b>
<p><b>To reduce the risk of fire, electric shock, serious injury or death to persons when using your gear cabinet, follow these basic precautions.</b></p>	
W775	

1. Read all instructions before using the gear cabinet.
2. Refer to the *Grounding Instructions* for the proper grounding of the gear cabinet.
3. Do not dry articles that have been previously cleaned in, washed in, soaked in, or spotted with gasoline, dry cleaning solvents, or other flammable or explosive substances as they give off vapors that could ignite or explode.
4. Do not allow children on or in the gear cabinet. This appliance is not intended for use by young children or infirm persons without supervision. Young children should be supervised to ensure that they do not play with the appliance.
5. Before the gear cabinet is removed from service or discarded, remove the doors to the drying compartment.
6. Do not install or store the gear cabinet where it will be exposed to water and/or weather.
7. Do not tamper with the controls.
8. Do not repair or replace any part of the gear cabinet, or attempt any servicing unless specifically recommended in the user-maintenance instructions or in published user-repair instructions that you understand and have the skills to carry out.
9. Do not use fabric softeners or products to eliminate static unless recommended by the manufacturer of the fabric softener or product.
10. Keep area around the exhaust opening and adjacent surrounding area free from the accumulation of lint, dust, and dirt.
11. The interior of the gear cabinet and the exhaust duct should be cleaned periodically by qualified service personnel.
12. Do not put articles soiled with vegetable or cooking oil in the gear cabinet, as these oils may not be removed during washing. Due to the remaining oil, the fabric may catch on fire by itself.
13. To reduce the risk of fire, **DO NOT** put clothes which have traces of any flammable substances such as machine oil, flammable chemicals, thinner, etc. or anything containing wax or chemicals in the gear cabinet.
14. Use the gear cabinet only for its intended purpose, drying water-washed fabrics.
15. **ALWAYS** disconnect the electrical power to the gear cabinet before servicing. Disconnect power by shutting off appropriate breaker or fuse.
16. Install this gear cabinet according to these *Installation Instructions*. All connections for electrical power and grounding must comply with local codes and be made by licensed personnel when required.

## Safety Information

17. Always read and follow manufacturer's instructions on packages of laundry and cleaning aids. Heed all warnings or precautions. To reduce the risk of poisoning or chemical burns, keep them out of reach of children at all times (preferably in a locked cabinet).
18. Do not dry fiberglass curtains and draperies unless the label says it can be done. If they are dried, wipe out the cabinet with a damp cloth to remove particles of fiberglass.
19. Always follow the fabric care instructions supplied by the garment manufacturer.
20. Never operate the gear cabinet with any guards and/or panels removed.
21. **DO NOT** operate the gear cabinet if it is smoking, grinding, or has missing or broken parts.
22. **DO NOT** bypass any safety devices.
23. Solvent vapors from dry-cleaning machines create acids when drawn through the heater of the drying unit. These acids are corrosive to the gear cabinet. Be sure make-up air is free of solvent vapors.
24. Failure to install, maintain, and/or operate this machine according to the manufacturer's instructions may result in conditions which can produce bodily injury and/or property damage.

	<b>WARNING</b>
<b>To reduce the risk of serious injury, install lockable door(s) to prevent public access to rear of gear cabinet.</b>	
<small>W682</small>	



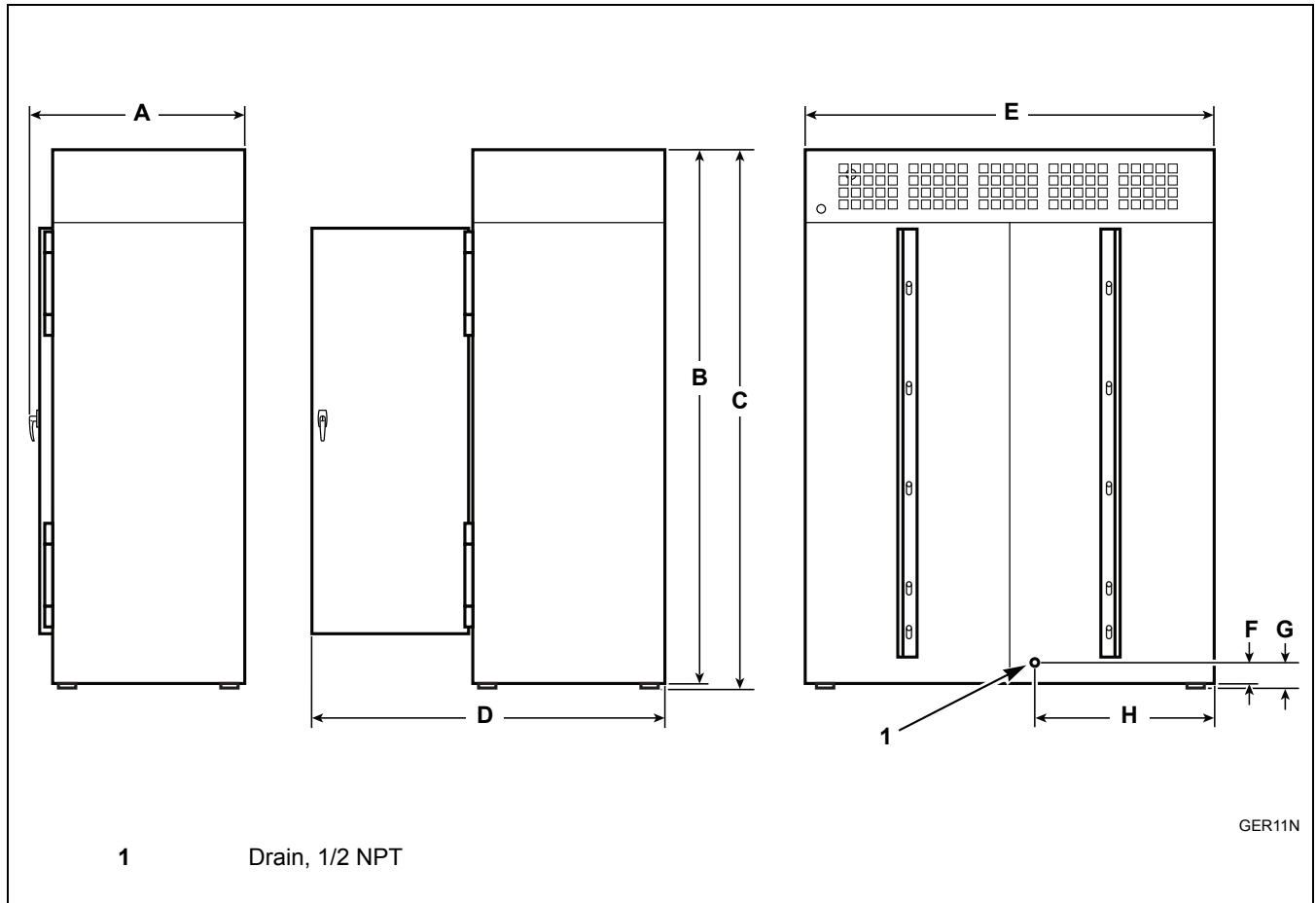
# Installation

## Specifications and Dimensions

Specifications	
<b>Net Weight (approximate):</b> <b>Pounds (kg)</b>	534 (242)
<b>Domestic Shipping Weight:</b> <b>Pounds (kg)</b>	605 (274)
<b>Air Outlet diameter:</b> <b>Inches (mm)</b>	6 (152)
<b>Maximum Static Back Pressure:</b> <b>W.C.I. (mbar)</b>	0.2 (0.5)
<b>Maximum Airflow:</b> <b>C.F.M. (m<sup>3</sup>/h)</b>	300 (510)
<b>Heating Elements:</b> <b>Kilowatts (kW)</b>	12

# Installation

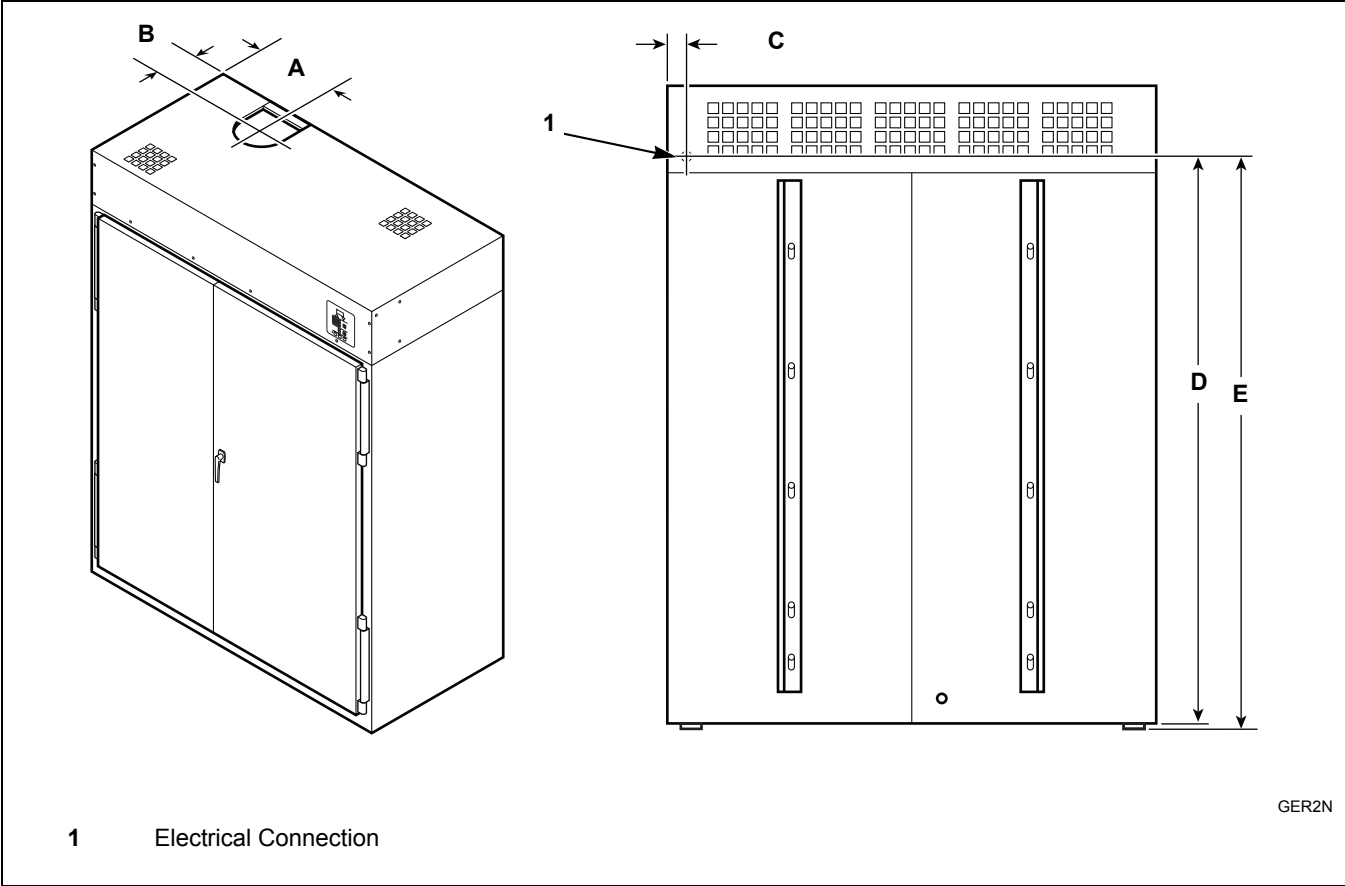
## Cabinet Dimensions and Drain Connection Locations



A	B	C	D	E	F	G	H
32.6 in. (828 mm)	79.44 in. (2018 mm)	80.37 in. (2041 mm)	59.89 in. (1521 mm)	61.13 in. (1553 mm)	1.42 in. (36 mm)	2.36 in. (60 mm)	30.56 in. (776 mm)

**NOTE: These figures are approximate dimensions only.**

Exhaust Outlet and Electrical Connection Locations



A	B	C	D	E
18.02 in. (458 mm)	5.66 in. (144 mm)	2.67 in. (68 mm)	70.64 in. (1794 mm)	71.58 in. (1818 mm)

NOTE: These figures are approximate dimensions only.

## Installation

### Pre-Installation Inspection

Upon delivery, visually inspect the crate, carton and parts for any visible shipping damage. If the crate, carton, or cover is damaged or signs of possible damage are evident, have the carrier note the condition on the shipping papers before the shipping receipt is signed, or advise the carrier of the condition as soon as it is discovered.

Remove the crate and protective cover as soon as possible and check the items listed on the packing list. Advise the carrier of any damaged or missing articles as soon as possible. A written claim should be filed with the carrier immediately if articles are damaged or missing.

**IMPORTANT: Warranty is void unless gear cabinet is installed according to instructions in this manual. Installation should comply with minimum specifications and requirements detailed herein, and with applicable municipal building codes, water supply regulations, electrical wiring regulations, and any other relevant statutory regulations. Due to varied requirements, applicable local codes should be thoroughly understood and all pre-installation work arranged for accordingly.**

Materials Required (Obtain Locally)
<ul style="list-style-type: none"><li>• One Two Pole fused disconnect switch or circuit breaker on 1 Phase models.</li><li>• One 3 Pole fused disconnect switch or circuit breaker on 3 Phase models.</li><li>• Hardware to connect to 1/2 in. PVC drain.</li><li>• 6 in. exhaust duct.</li></ul>

**IMPORTANT: Keep gear cabinet area clear and free from combustible materials, gasoline and other flammable vapors and liquids.**

### Location Requirements

The gear cabinet must be installed on a level floor. Floor covering materials such as carpeting or tile should be removed.

To assure compliance, consult local building code requirements. The gear cabinet must not be installed or stored in an area where it will be exposed to water and/or weather.


**IMPORTANT: DO NOT block the airflow at the rear and top of the gear cabinet with laundry or other articles. Doing so would prevent adequate air supply to the gear cabinet.**

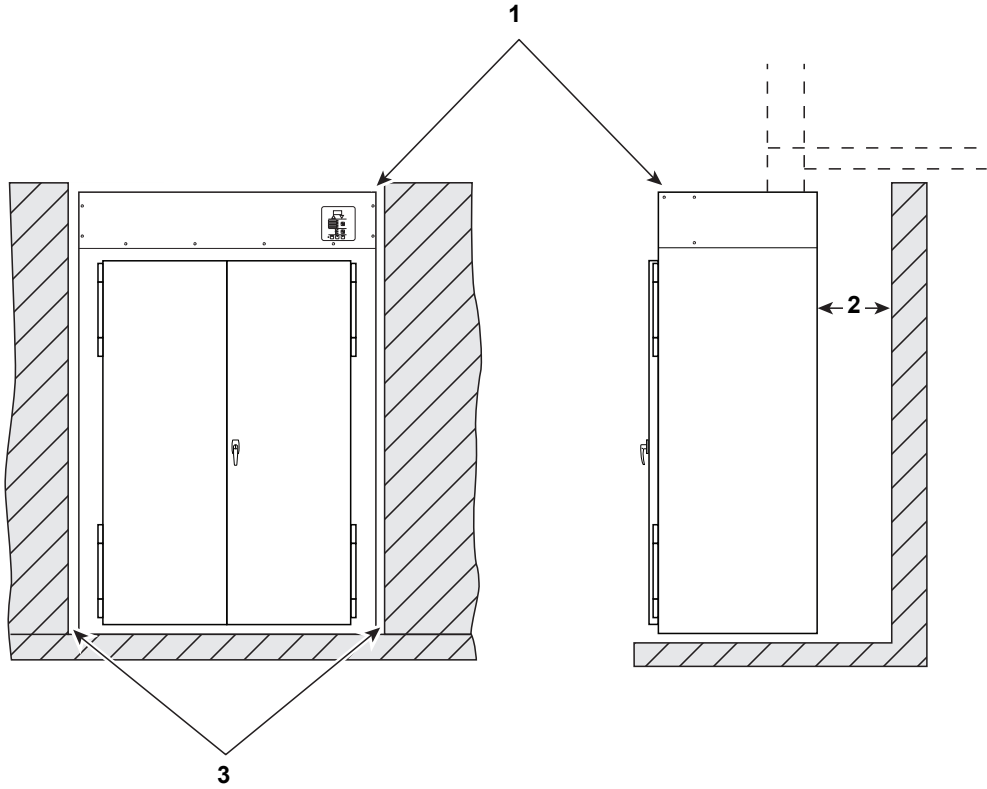
A typical gear cabinet enclosure is shown in *Figure 1*. Note the minimum and maximum dimensions. Local codes and ordinances must be complied with.

**IMPORTANT: Install gear cabinets with sufficient clearance for servicing and operation, refer to *Figure 1*.**

**NOTE: Open doors before removing control access panel.**

# Gear Cabinet Enclosure

	<b>WARNING</b>
<b>To reduce the risk of severe injury, clearance of gear cabinet from combustible construction must conform to the minimum clearances.</b>	
W705	




**NOTE: Shaded areas indicate adjacent structure.**

- 1** 6 in. (152 mm) minimum opening at top of machine to aid in removal or installation.
- 2** 3 in. (76 mm) minimum, 36 in. (914 mm) recommended for best performance.
- 3** 0.25 in. (6 mm) recommended for removal or installation purposes, zero clearance allowed.

GER8N

Figure 1

## Position and Level the Gear Cabinet

	<b>WARNING</b>
<p><b>Do NOT tip the machine more than 15 degrees in any direction. Machine is top heavy and may overturn causing bodily injury and/or damage to machine.</b></p>	
W785	

Unscrew the four shipping bolts (one at each corner). Remove gear cabinet from skid.

**NOTE: Do not throw bolts away – they are the leveling legs.**

Screw the four leveling legs (bolts) back into the level adjusting fittings from the bottom.

Slide gear cabinet to its permanent location. Adjust the leveling legs until the unit is level, or no more than 0.125 inch (3.18 mm) higher in the front. Refer to *Figure 2*. Gear cabinet must not rock.

**IMPORTANT: Keep gear cabinet as close to floor as possible. The unit must rest firmly on floor so weight of gear cabinet is evenly distributed.**

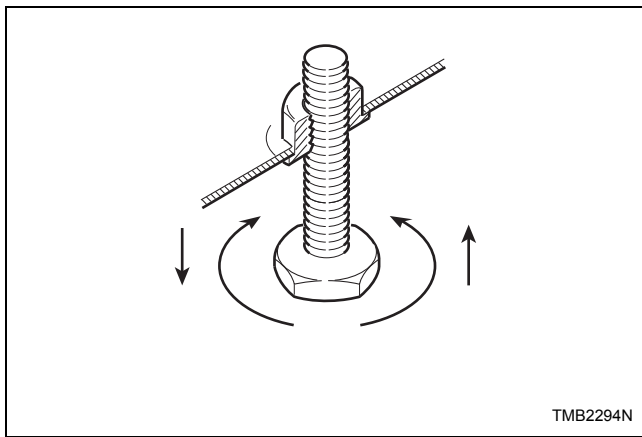


Figure 2

Back panel of machine should be a minimum of three inches from the wall. Refer to *Figure 3*.

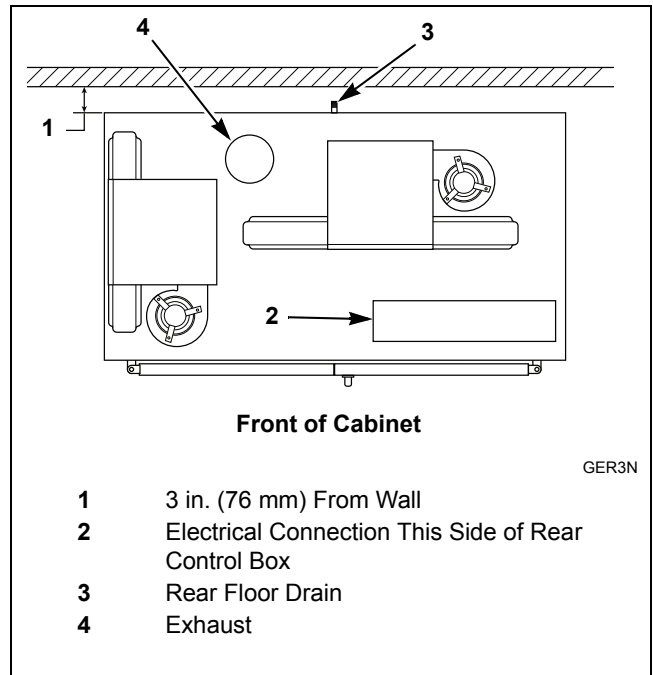


Figure 3

## Gear Rack Option

**IMPORTANT: Gear must not exceed 100 pounds (45.3 Kilograms) per rack.**

This procedure attaches the brackets for the Gear Rack option to the gear cabinet. Refer to *Figure 4*.

1. Determine left brackets from right brackets, slots should be toward center of cabinet. Slots in bracket must face upward, then place bracket into channel. Position left and right brackets at the same height in channels.
2. Place shelf to back and center of cabinet on top of a set of brackets. Slowly pull shelf toward front of cabinet until it drops into slots of brackets and will go no further.

**NOTE: If installing more than one shelf, start with lower shelf then install upper shelf.**

3. Locate locking pin position, mark hole location for the setscrew, drill and tap #10-32 hole.
4. Take locking pin and start thumb screw in tapped hole. Put the locking pin, thumb screw end up, between the shelf and the inside of the shelf bracket against the face of channel.
5. Tighten thumb screw against face of channel until pin is holding the shelf against the shelf bracket securely.
6. Repeat Steps 1-5 for additional shelves.

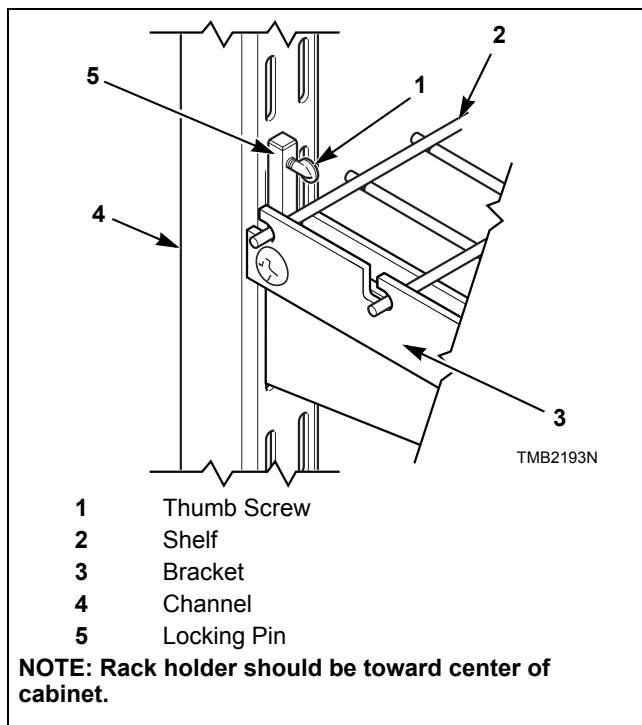


Figure 4

## Hanger Placement

A hanger or filler plate (part no. FR223) must occupy each hanger opening in order to maximize airflow. If all hangers are not used, insert a filler plate to block opening. Refer to *Figure 5*.

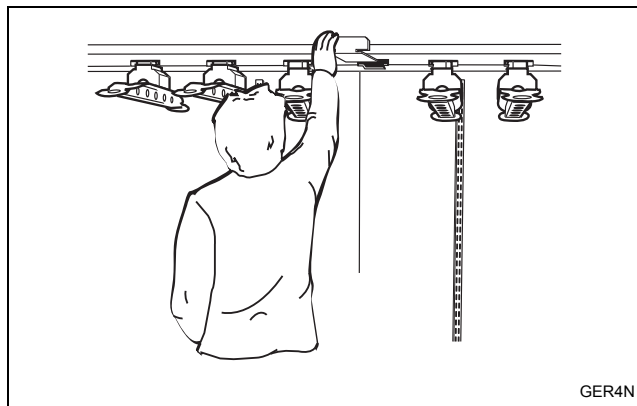


Figure 5

## Boot Rack

Place boots on rack with toes up so that water does not puddle in the toe area of the boot. Refer to *Figure 6*.

**NOTE: If boots are dirty, rinse off before placing on boot racks.**

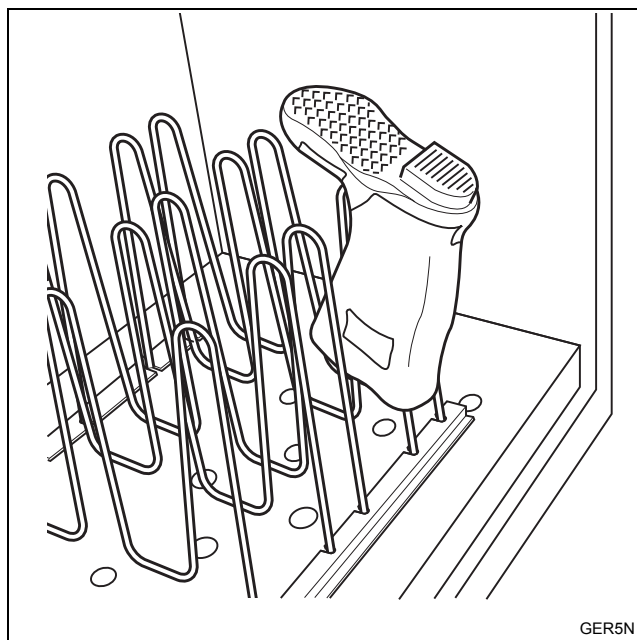


Figure 6

## Installation

# Exhaust Requirements

## Layout

Whenever possible, install gear cabinet along an outside wall where duct length can be kept to a minimum, and make-up air can be easily accessed. Construction must not block the airflow at the rear of the gear cabinet. Doing so would prevent adequate air supply to the gear cabinet heating elements.

## Make-Up Air

A gear cabinet is forced air exhausted and requires provisions for make-up air to replace air exhausted by gear cabinet.

**IMPORTANT: Do not obstruct flow of ventilation air.**


Required make-up air opening (to the outside) for each gear cabinet is:

**60 square inches (387 sq. cm)**

Make-up air openings with louvers will restrict airflow. The opening must be increased to compensate for area taken up by louvers.

Make-up air openings in rooms containing gear cabinet(s) and/or gas fired hot water heater or other gravity vented appliances must be increased sufficiently to prevent downdrafts in any of the vents when all gear cabinet(s) are in operation. Do not locate gravity vented appliances between gear cabinet(s) and make-up air openings. If it is necessary to duct make-up air to gear cabinet(s), increase area of duct work by 25% to compensate for restrictions in air movement.

## Venting


	<b>WARNING</b>
<b>To reduce the risk of fire due to increased static pressure, we do not recommend installation of in-line secondary lint filters or lint collectors. If secondary systems are mandated, frequently clean the system to assure safe operation.</b>	
W749	

**IMPORTANT: Installing in-line filters or lint collectors will cause increased static pressure. Failure to maintain the secondary lint system will decrease gear cabinet efficiency and may void machine warranty.**

For maximum efficiency, gear cabinet air must be exhausted to the outdoors by the shortest possible route.

Ductwork should not be over 14 feet (4.3 m) and two 90° elbows. Proper sized exhaust ducts are essential for proper operation. All elbows should be sweep type. Exhaust ducts must be assembled so the interior surfaces are smooth. **DO NOT** use plastic or thin foil ducts – rigid metal ducts are recommended. Use exhaust ducts made of sheet metal or other noncombustible material. **DO NOT** use sheet metal screws or fasteners on exhaust pipe joints. Use duct tape or pop-rivets on all seams and joints.

Verify that old ducts are thoroughly cleaned out before installing new gear cabinet(s).

	<b>WARNING</b>
<b>Improperly sized or assembled ductwork causes excess back pressure which results in slow drying and increased fire hazard.</b>	
W778	


**NOTE: Exhaust ducts must be constructed of sheet metal or other noncombustible material. Such ducts must be equivalent in strength and corrosion resistance to ducts made of galvanized sheet steel not less than 0.0195 inches (0.495 mm) thick.**

Where the exhaust duct pierces a combustible wall or ceiling, the opening must be sized per local codes. The space around the duct may be sealed with noncombustible material.

**NOTE: For best performance provide an individual exhaust duct for each gear cabinet. Do not install a hot water heater in a room containing gear cabinets. It is better to have the water heater in a separate room with a separate air inlet.**



## Electrical Requirements

	<b>WARNING</b>
<p>To reduce the risk of electric shock, fire, explosion, serious injury or death:</p> <ul style="list-style-type: none"> <li>• Disconnect electric power to the gear cabinet before servicing.</li> <li>• Never start the gear cabinet with any guards/panels removed.</li> <li>• Whenever ground wires are removed during servicing, these ground wires must be reconnected to ensure that the gear cabinet is properly grounded.</li> </ul> <p style="text-align: right;">W0683</p>	
<p>To reduce the risk of fire and electric shock, check with a qualified serviceman for proper grounding procedures. Improper connection of the equipment grounding conductor may result in a risk of electric shock.</p> <p style="text-align: right;">W068</p>	
<p>To reduce the risk of fire and electric shock, if electrical supply is coming from a three phase service, DO NOT connect a “High Leg” or “Stinger Leg” to a single phase machine. On a three phase machine, if there is a “High Leg” or “Stinger Leg” it should be connected to L3.</p> <p style="text-align: right;">W069</p>	

## Grounding Instructions

**NOTE:** To ensure protection against shock, this gear cabinet **MUST** be electrically grounded in accordance with the local codes, or in the absence of local codes, with the latest edition of the National Electrical Code ANSI/NFPA No. 70. In Canada the electrical connections are to be made in accordance with CSA C22.1 latest edition Canadian Electrical Code, or local codes. Electrical work should be done by a qualified electrician.

This gear cabinet must be grounded. In the event of malfunction or breakdown, grounding will reduce the risk of electric shock by providing a path of least resistance for electric current. This gear cabinet must be connected to a grounded metal, permanent wiring system; or an equipment grounding conductor must be run with the circuit conductors and connected to the appropriate ground location.

- Metal conduit and/or BX cable is not considered ground.
- Connecting the Neutral from the electrical service box to the gear cabinet ground screw does not constitute a ground.
- A dedicated ground conduit (wire) must be connected between the electrical service box ground bar and gear cabinet ground screw.

**WARNING**

To reduce the risk of electrical shock, de-energize the electrical circuit being connected to the gear cabinet before making any electrical connections. All electrical connections should be made by a qualified electrician. Never attempt to connect a live circuit.

W684

**CAUTION**

Label all wires prior to disconnection when servicing controls. Wiring errors can cause improper and dangerous operation. Verify proper operation after servicing.

W071

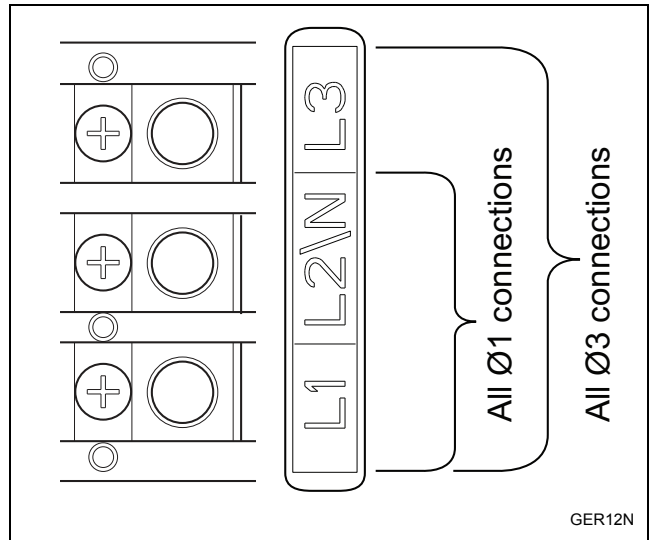


Figure 7

Models	Serial Plate Voltage	Current (Amps)	Recommended Breaker Rating (Amps)
*TGC6EDG44	208 Volt/50 or 60 Hertz/1 Phase	45	60A
*TGC6EDG45	208 Volt/50 or 60 Hertz/3 Phase	25	35A
*TGC6EDG64	240 Volt/50 or 60 Hertz/1 Phase	52	70A
*TGC6EDG65	240 Volt/50 or 60 Hertz/3 Phase	30	40A
*UGC6EDG75	380-415 Volt/ 50 Hertz/3 Phase	18	25A

\* Add C, I or U for complete model number.

Table 1

# Operation

## DMP OPL Models

### General Operation

The Diagnostic Microprocessor Control (DMP) is designed to manage the drying and cooling cycles of the gear cabinet. The controller is also programmed from the factory with five different default programs as described below. The operator has the flexibility to select the time for the drying and cool down cycles and the drying temperature. The operator may also re-program the default programs. Refer to *Programming section*.

### Default Programs

Programs	Dry Time	Cool Time	Temp. Set Point
1	90 min.	2 min.	105°F (41°C)
2	120 min.	2 min.	105°F (41°C)
3	150 min.	2 min.	105°F (41°C)
4	180 min.	2 min.	105°F (41°C)
5	20 min.	2 min.	105°F (41°C)

Table 2

**NOTE: If a modified program is determined to be corrupted, the default program settings will be used.**

The minimum drying time is 0 minutes and the minimum cooling time is 2 minutes. The maximum drying time is 555 minutes and the maximum cooling time is 60 minutes. The drying temperature may be set from 100°F (38°C) to 150°F (66°C). The drying time, cooling time, or temperature may be modified during an operating cycle.

If necessary to reset the drying and cooling times for the current cycle, press STOP twice to stop the gear cabinet.

**NOTE: To pause the cycle, press STOP once. To cancel the cycle, press STOP twice. The fan will continue to run for two minutes if the cycle is paused or cancelled.**

## Operation

### Description of the OPL Control Panel

Refer to *Figure 8*.

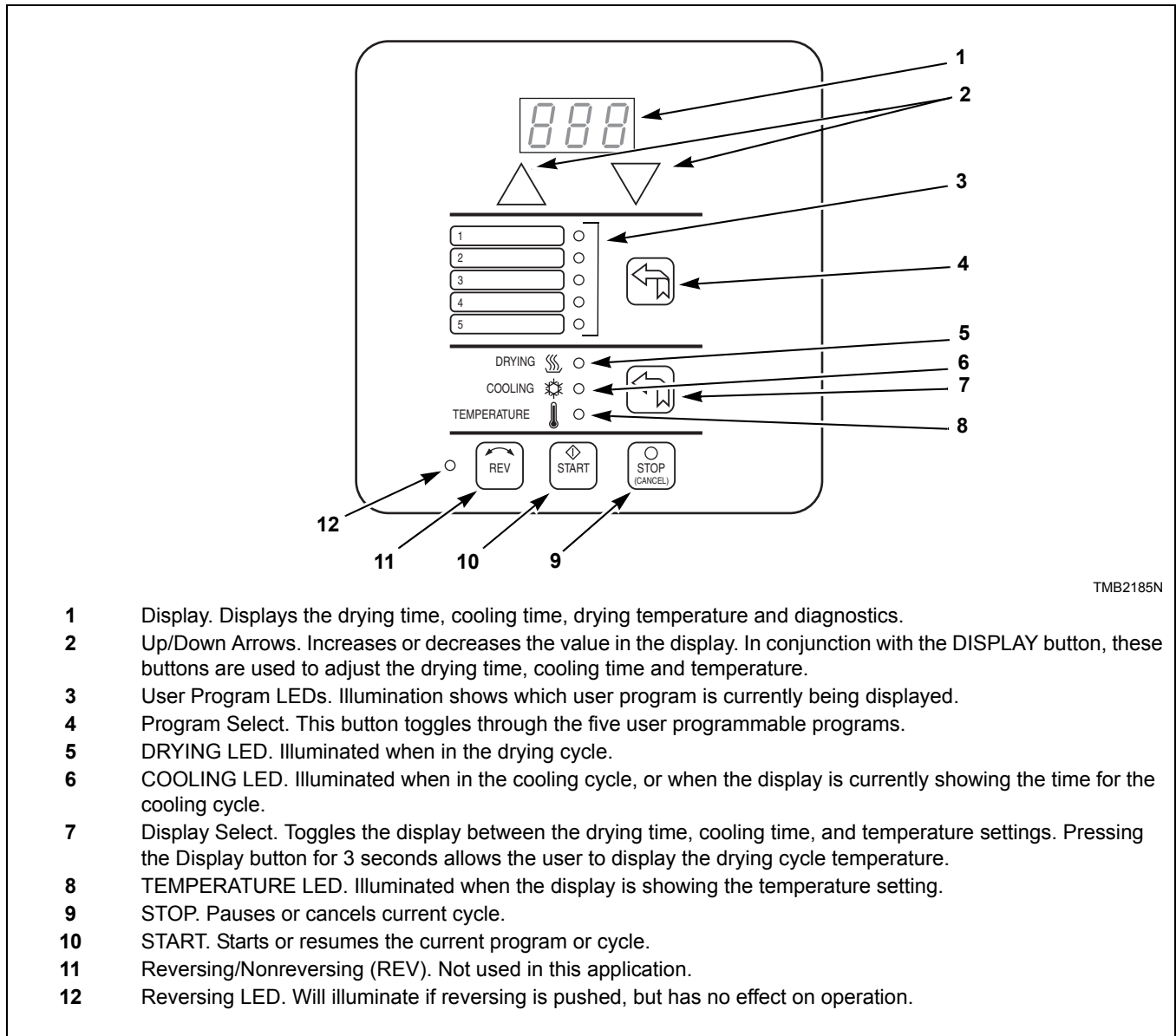


Figure 8

## DMP OPL Features

### DIP Switch Settings

The DMP has an 8 position DIP switch bank that is accessible from the back of the control board. By switching these DIP switches, it is possible for the operator to customize the display and some of the operating features of the gear cabinet.

Switch	Function	Factory Settings
1	Gear Cabinet	OFF
2	Temperature Units (OFF = °F, ON = °C)	OFF
3	Not Used	OFF
4	Not Used	OFF
5	Not Used	OFF
6	Buzzer Timer	OFF
7	Not Used	OFF
8	Programming (OFF = Disable, ON = Enable)	OFF

Table 3

### Programming

1. Set DIP switch #8 to the “ON” position.
2. Select the desired program number to change.
3. Select DRY TIME. Set the time with the Up/Down arrows. The LED will flash to indicate cycle has been modified.
4. Select COOL TIME. Set the time with the Up/Down arrows. The LED will flash to indicate cycle has been modified.
5. Select TEMPERATURE. Set the temperature with the Up/Down arrows. The LED will flash to indicate cycle has been modified.
6. Press and hold the Program Select button about 3 seconds until the LED stops flashing. The selected program number is now programmed. If the Program button is pressed for less than 3 seconds, the controller will cancel the program and display the next program’s settings. If not programmed correctly, the display will flash “E2F” for 4 seconds, and the default settings will be used. Follow steps 1 through 6 to reprogram any program number. When finished, set DIP switch #8 to “OFF.”

**IMPORTANT: If a button is not pressed within 10 seconds the program will go back to the previous values.**

### Temporary Reprogramming of Current Programs.

1. The Drying Time, Cooling Time and Temperature Mode of a program currently in use may be modified simply by adjusting any or all of the program parameters for that program, as needed. Once a modification has been made, the current program LED will flash indicating that it has been modified.
2. Use the Up/Down arrows to adjust program time.
3. Use the Display Select button to choose between Drying Time, Cooling Time, and Temperature. Then use the Up/Down arrows to adjust the times and temperature.
4. To cancel this temporary programming mode push the “STOP” button once to stop the current cycle and once more to cancel the modified program settings. The program will revert back to its original settings.

### Operational Check for the Board Diagnostics

1. “P-F” indicates that the thermistor is short circuited or open circuited.

# Removing Gear Cabinet from Service

If the gear cabinet is to be removed from service, perform the following steps where applicable:

- Turn off electrical supply external to machine.
- Turn off electrical disconnect on machine.
- Remove all electric connections.

## Before You Call for Service

Won't Start	Won't Heat	Clothes Not Dry	Possible Reason – Corrective Actions
•			Press the PUSH-TO-START or START pad/button.
•			Be sure power cord is plugged all the way into the electrical outlet.
•			Drying timer is in OFF position.
•			Check the main fuse and circuit breaker.
•			Check fuses located in the machine.
	•		Are controls properly set?
	•	•	Exhaust duct to outside is blocked. Clean out.

### Customer Service

If literature or replacement parts are required, contact the source from which the machine was purchased or contact Alliance Laundry Systems at (920) 748-3950 for the name and address of the nearest authorized parts distributor.

For technical assistance, call (920) 748-3121.